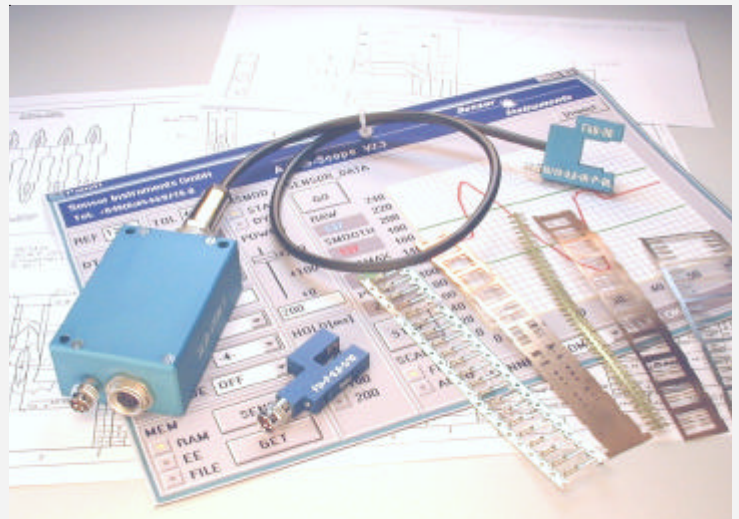


FIA Series

▶ Product Information

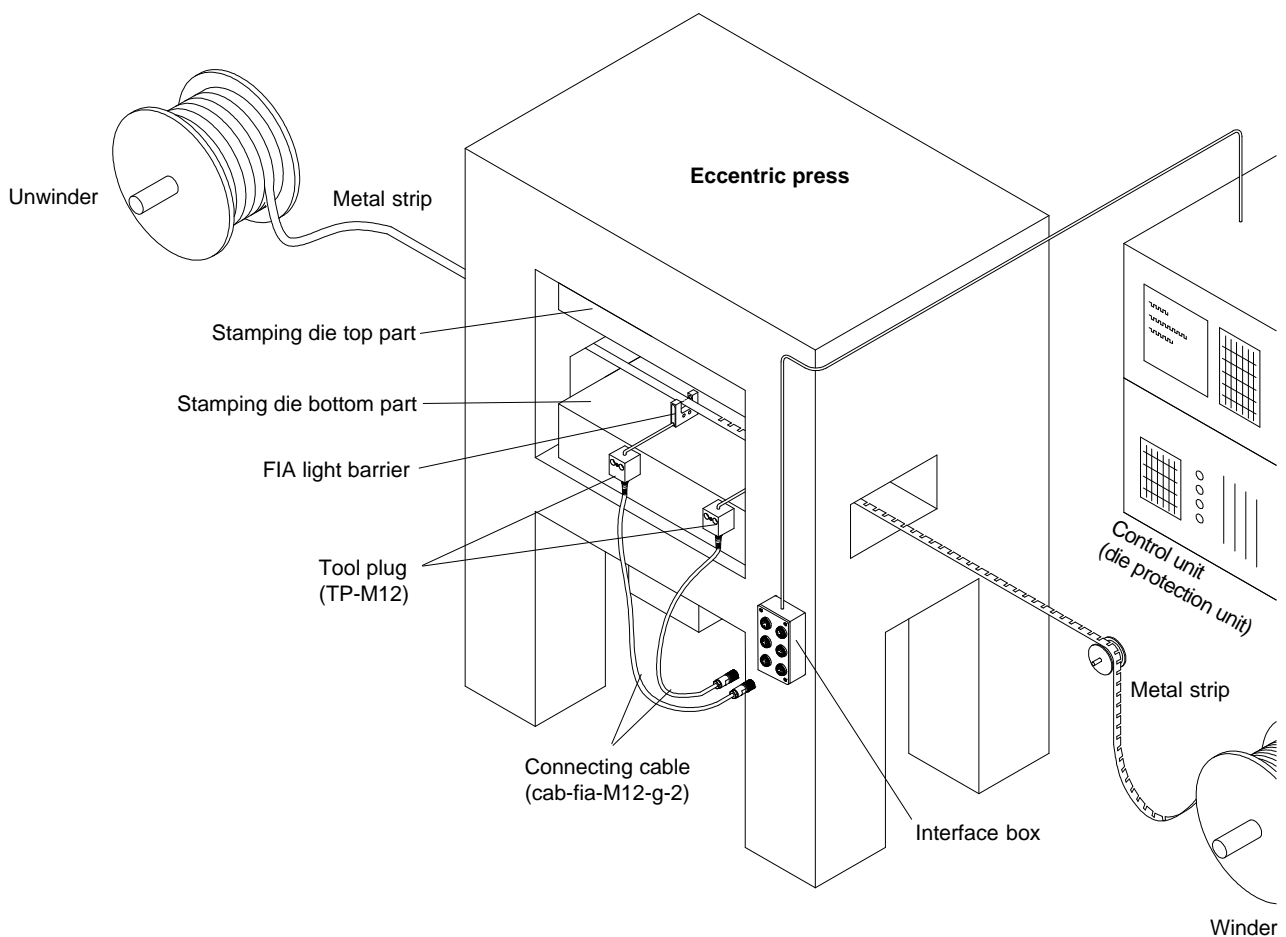
Applications: Mainly in the field of metal stamping

Products: Fork light barriers:
 Available as IR-type or VIS-type,
 cable version (C) or plug version (P),
 with or without blast air connector,
 Common characteristic: Electronics
 integrated in the sensor housing



Field of Application

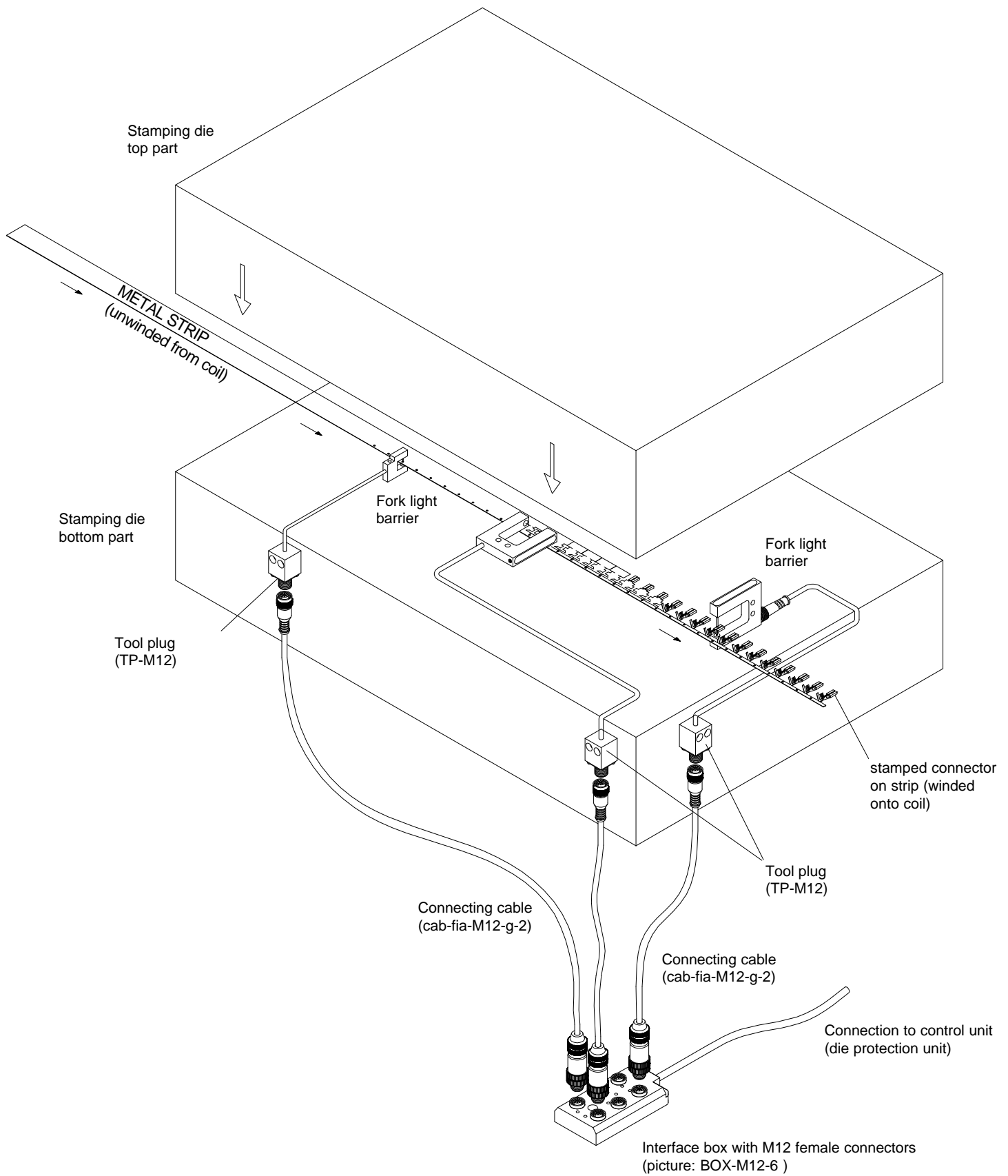
Main operative range: Stamping industry



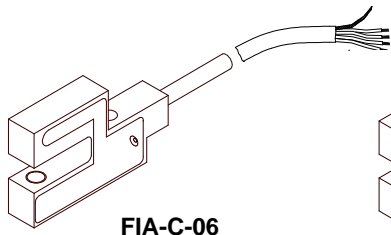
Mounting area:

- The light barriers are primarily mounted in the stamping die bottom part, and are available also with a so-called tool-plug (TP-M12)
- The connection from the tool-plug to the interface box is established by a connecting cable (cab-fia-M12-g-2)
- The interface box is mounted directly at the stamping machine (eccentric press)

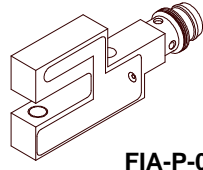
Application Example



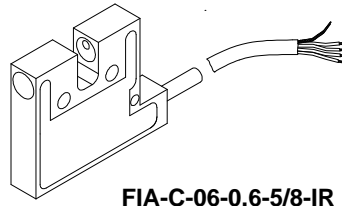
Product Line



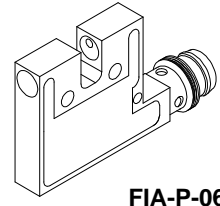
FIA-C-06



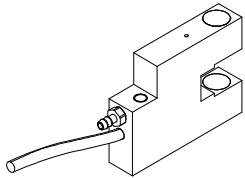
FIA-P-06



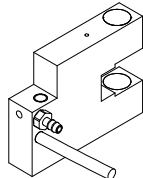
FIA-C-06-0.6-5/8-IR



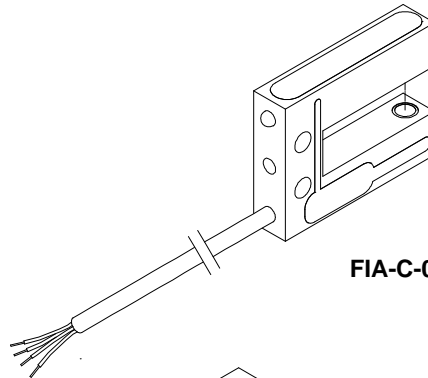
FIA-P-06-0.6-5/8-IR



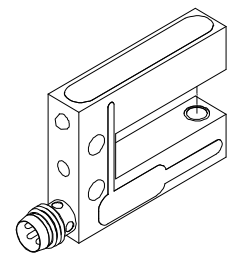
FIA-A-H



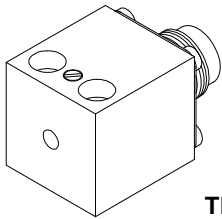
FIA-A-V



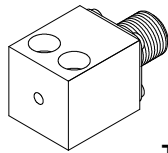
FIA-C-08



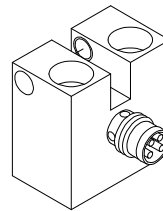
FIA-P-08



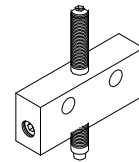
TPO-01



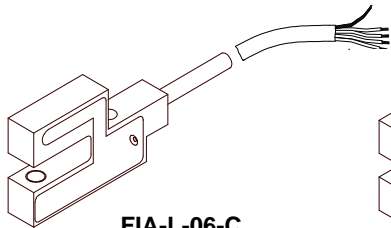
TP-M12



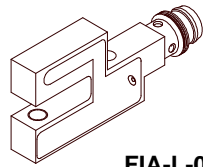
FIA-P-15



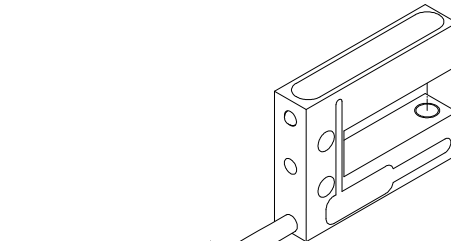
JP-3
(jam plate,
accessories for
FIA-C-06-5/8,
FIA-P-06-5/8,
and FIA-P-15)



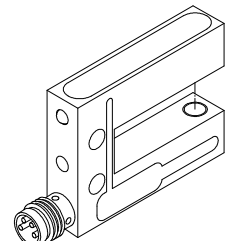
FIA-L-06-C



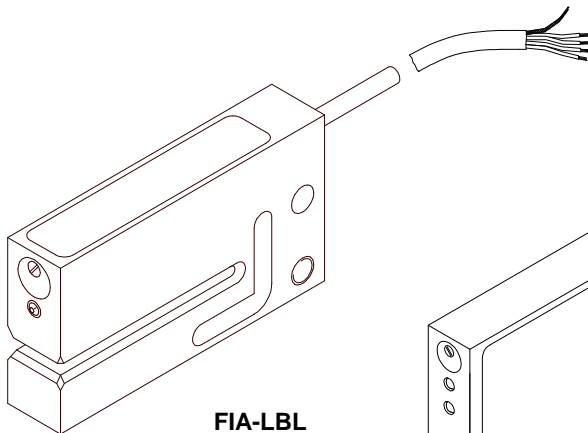
FIA-L-06-P



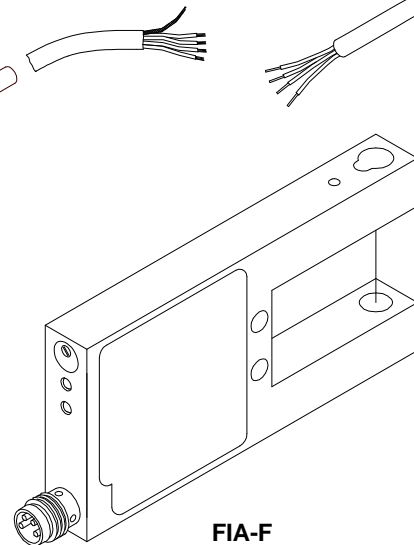
FIA-L-08-C



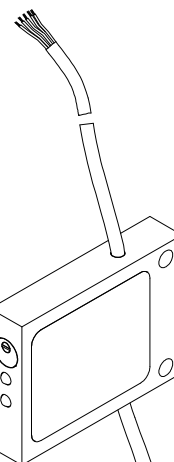
FIA-L-08-P



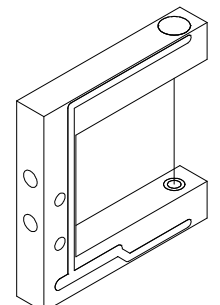
FIA-LBL



FIA-F



FIA-F-CON1



FIA-FE



Notes